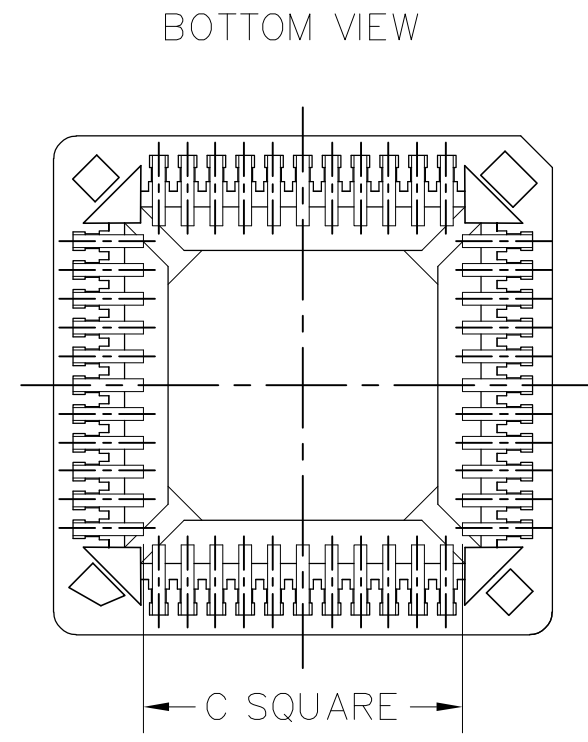
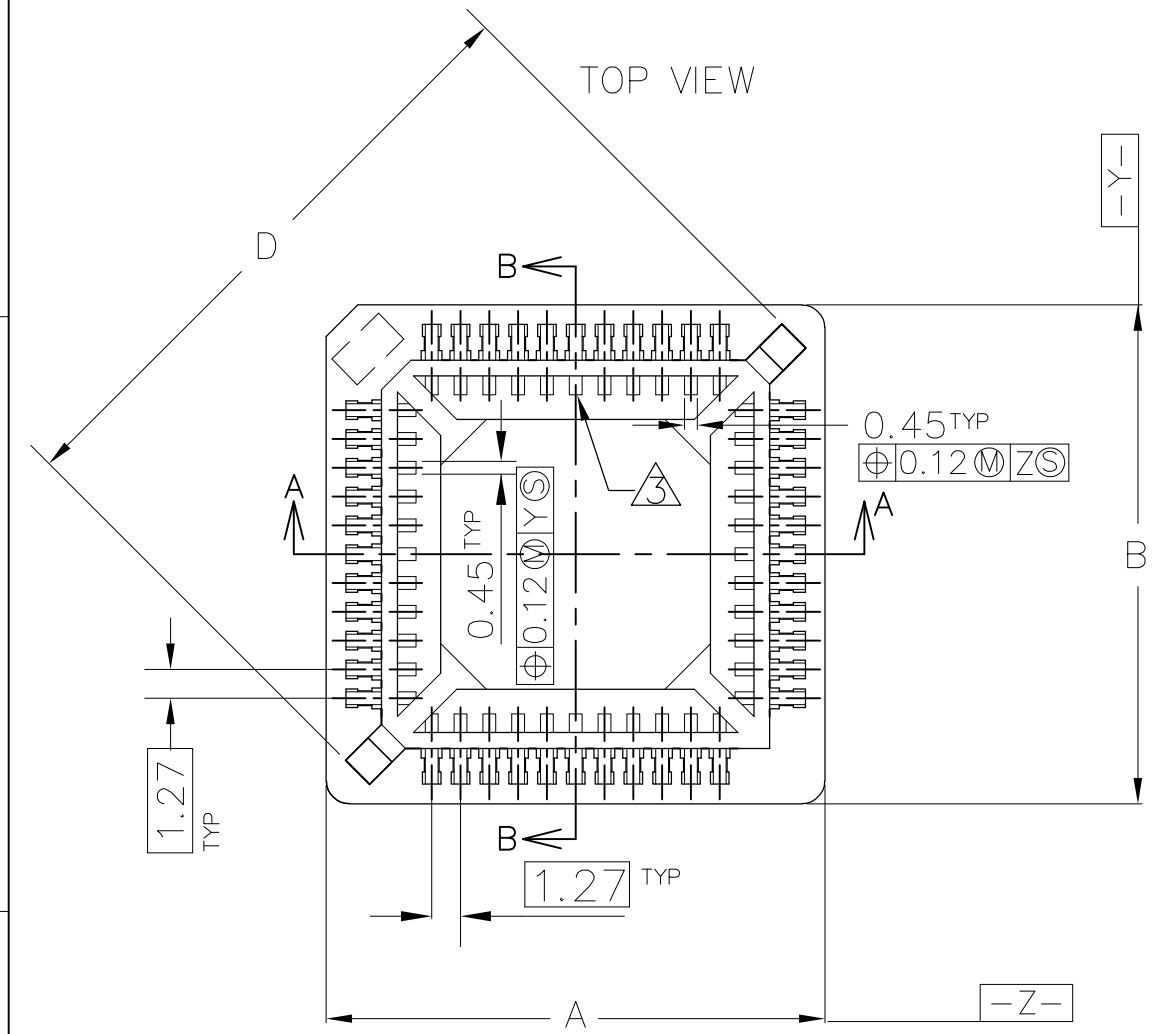


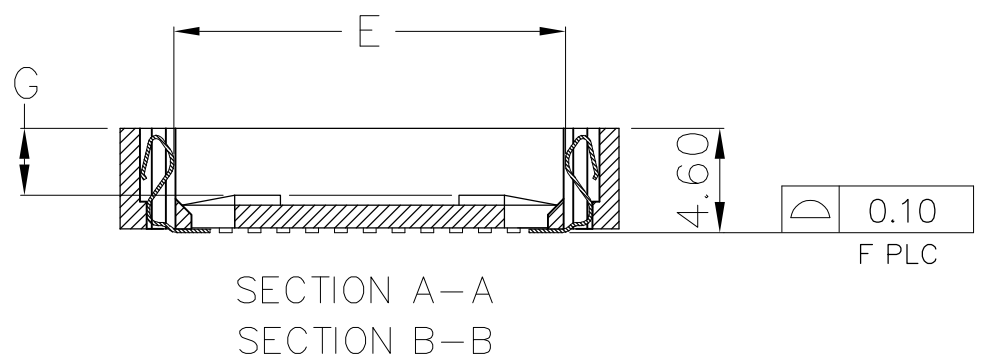
THIS DRAWING IS UNPUBLISHED. RELEASED FOR PUBLICATION
 © COPYRIGHT BY TYCO ELECTRONICS CORPORATION. ALL RIGHTS RESERVED.

LOC	DIST	REVISIONS					
GP	00	P	LTR	DESCRIPTION	DATE	DWN	APVD
			D1	REVISED PER ECO-06-026682	14MAY07	DH	MB



- 1 MATERIAL:
HOUSING--HIGH TEMPERATURE THERMOPLASTIC, UL94V-0, COLOR: BROWN.
- 2 CONTACT--PHOSPHOR BRONZE.
- 3 CONTACT FINISH: PLATE 0.00254 MIN. 90/10 TIN-LEAD OVER 0.00127 MIN. NICKEL ; ALL OVER.
- 4 PIN #1
- 5 VIA HOLES NOT RECOMMENDED WITHIN SOCKET SHADOW AREA.
- 6 CURRENT RATING: 1 AMP.
- 7 VOLTAGE RATING: 250V.
- 8 CONTACT RESISTANCE: 20 MILLIOHMS, MAXIMUM.
- 9 INSULATION RESISTANCE: 5,000 MEGOHMS, MINIMUM, INITIAL.
- 10 DIELECTRIC WITHSTANDING VOLTAGE: 600 VAC RMS, MINIMUM.
- 11 OPERATING TEMPERATURE: -55 TO +105 C.
- 12 DURABILITY: 25 CYCLES.
- 13 PLCC DEVICE MUST CONFORM TO JEDEC MS-018.
- 14 OBSOLETE

44 POSITION SHOWN

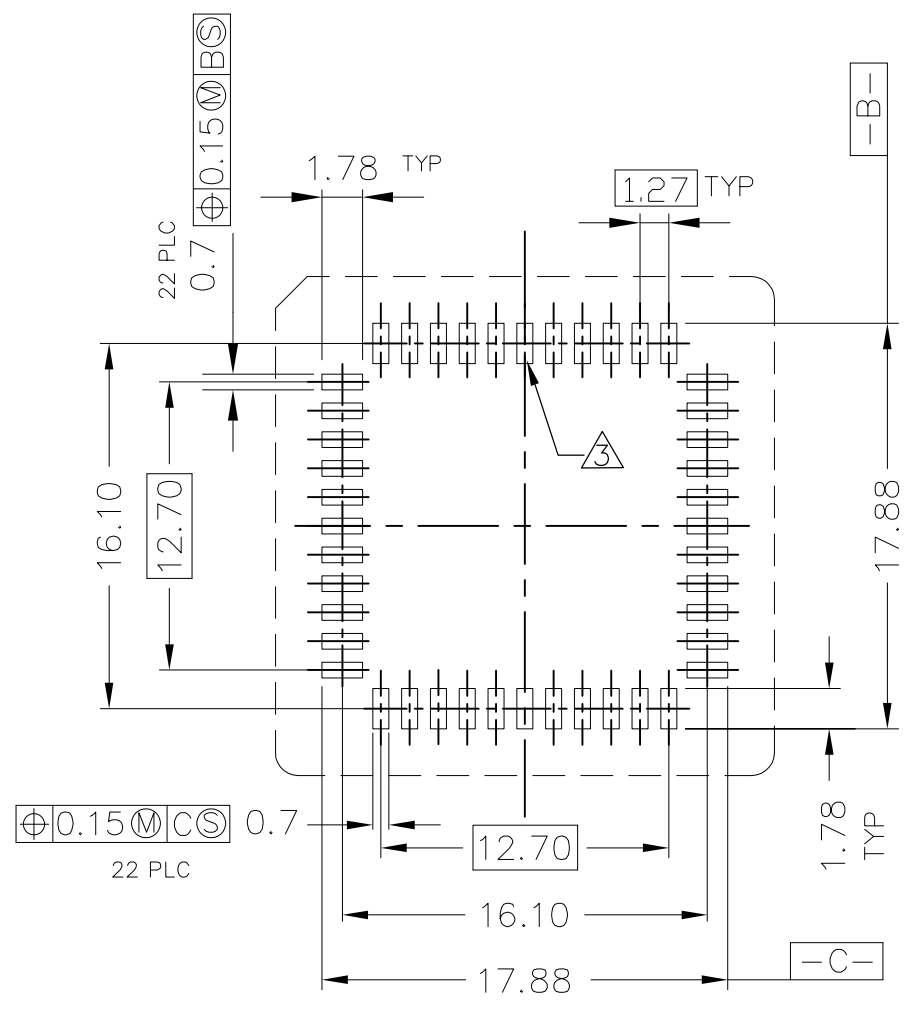


	G	F	E	D	C	B	A	Part Status	Packaging	AMP P/N
	2.75	20	9.36	16.38	6.71	14.36	14.36	Released	Tape	3-822499-3
13	2.75	20	9.36	16.38	6.71	14.36	14.36	Released	Tubes	822499-3
	2.75	28	11.90	20.00	9.25	16.90	16.90	Released	Tape	3-822499-2
13	2.75	28	11.90	20.00	9.25	16.90	16.90	Released	Tubes	822499-2
	2.95	44	16.99	27.20	14.33	22.00	22.00	Released	Tape	3-822499-1
	2.95	44	16.99	27.20	14.33	22.00	22.00	Released	Tubes	822499-1

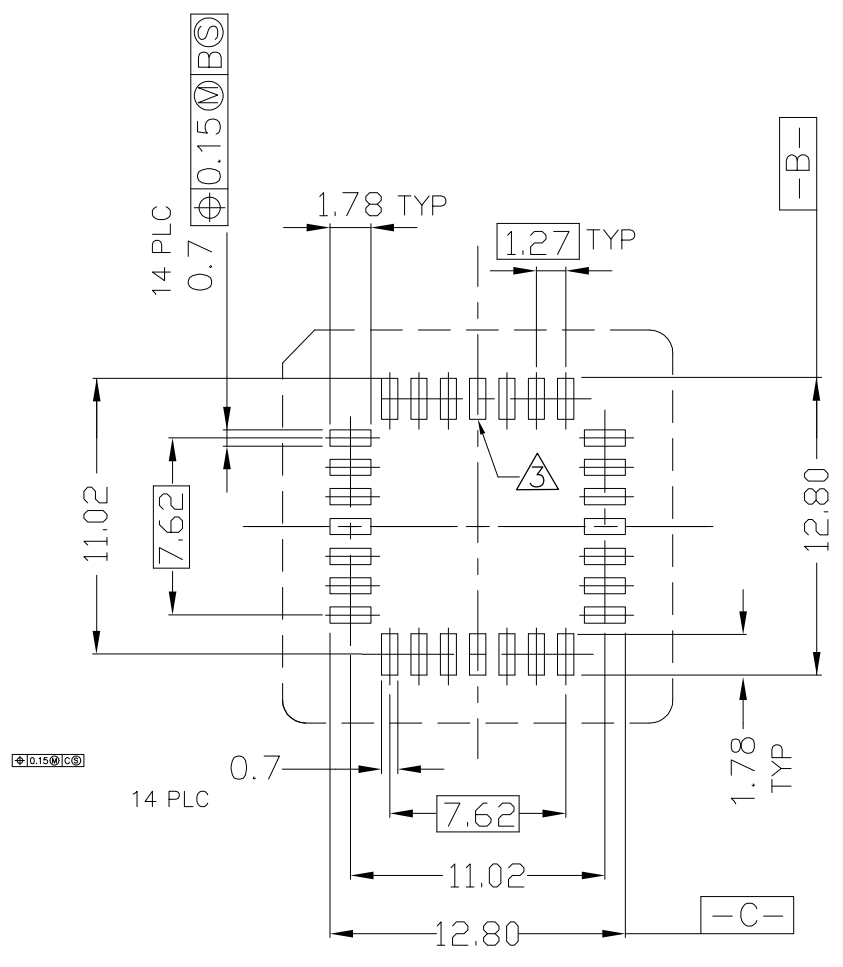
THIS DRAWING IS A CONTROLLED DOCUMENT.		DWN	21FEB00		Tyco Electronics Corporation Harrisburg, PA 17105-3608	
		CHK	15FEB00			
		K.KREIDLER		NAME		PLCC SURFACE MOUNT
		K.KREIDLER		PRODUCT SPEC		
		K.KREIDLER		APPLICATION SPEC		RESTRICTED TO
		K.KREIDLER		APVD 15FEB00		
DIMENSIONS: mm		TOLERANCES UNLESS OTHERWISE SPECIFIED:		SIZE	CAGE CODE	DRAWING NO
		0 PLC ± - 1 PLC ± - 2 PLC ± 0.2 3 PLC ± - 4 PLC ± - ANGLES ± -		WEIGHT	A3 00779 C-822499	
MATERIAL 1		FINISH 2		CUSTOMER DRAWING		SCALE 3:1
						SHEET 1 OF 2
						REV D1

THIS DRAWING IS UNPUBLISHED. RELEASED FOR PUBLICATION
 © COPYRIGHT BY TYCO ELECTRONICS CORPORATION. ALL RIGHTS RESERVED.

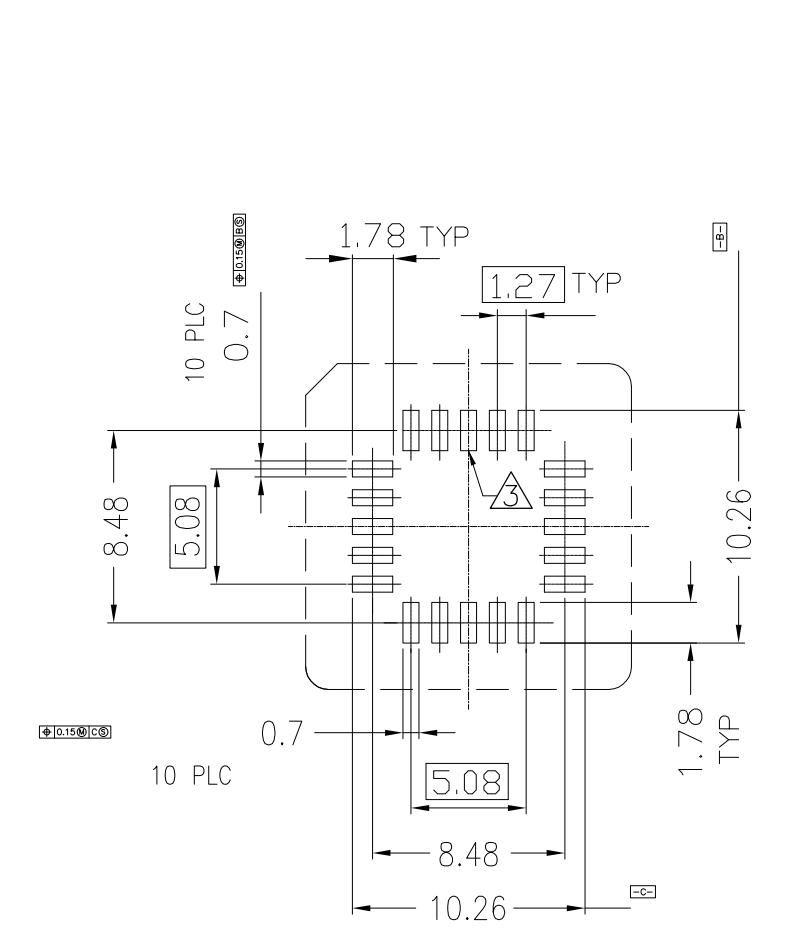
LOC	DIST	REVISIONS					
GP	00	P	LTR	DESCRIPTION	DATE	DWN	APVD
				SEE SHEET 1			



44 POSITION
822499-1 AND 3-822499-1



28 POSITION
822499-2 AND 3-822499-2



20 POSITION
822499-3 AND 3-822499-3

△ RECOMMENDED PCB FOOTPRINTS

THIS DRAWING IS A CONTROLLED DOCUMENT.		DWN	A.HOLT	07NOV00	Tyco Electronics Corporation Harrisburg, PA 17105-3608				
DIMENSIONS: mm		CHK	K.KREIDLER	20MAR00				NAME	
TOLERANCES UNLESS OTHERWISE SPECIFIED:		APVD	K.KREIDLER	20MAR00	PLCC SURFACE MOUNT				
0 PLC ± - 1 PLC ± - 2 PLC ± 0.2 3 PLC ± - 4 PLC ± - ANGLES ± -		PRODUCT SPEC		-					
MATERIAL		APPLICATION SPEC		-					
FINISH		WEIGHT	-		SIZE	CAGE CODE	DRAWING NO	RESTRICTED TO	
△ 1		△ 2		A3 00779		C-822499	-		
CUSTOMER DRAWING				SCALE	3:1	SHEET	2 OF 2	REV	D1